

MK ITEM / INTERCHANGE NEWS

Date : FEBRUARY 20, 2018
No. 18 - 01

JANUARY New Item Information

BRAKE PAD


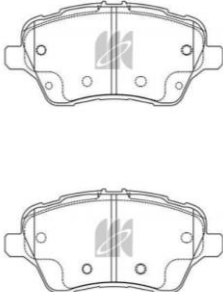
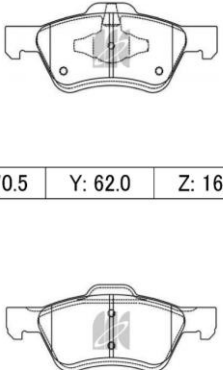
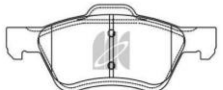
MK No.	Application	Releasing Month (accepting order)	Quotation Month
D6160 Made in Indonesia	MITSUBISHI PAJERO SPORT KR1W GEN.ZAF 2015.10- MITSUBISHI PAJERO SPORT KR3W GEN.GCC 2015.10- MITSUBISHI PAJERO SPORT KS1W RUS 2015.12- MITSUBISHI MONTERO SPORT KR1W GEN.ZAF 2015.10- MITSUBISHI MONTERO SPORT KR3W GEN.GCC 2015.10- MITSUBISHI MONTERO SPORT KR5W MEX 2017.01-	JAN. 2018	FEB. 2018
D20063H Made in Indonesia FMSI NO. D1730	FORD FIESTA ST 14- FORD FIESTA 1.0L USA 14-16 FORD FIESTA 1.6L USA 14-16	JAN. 2018	FEB. 2018
D20069H Made in Indonesia FMSI NO. D1047	FORD ESCAPE 2.3L~3.0L USA 08-10.7 FORD ESCAPE HYBRID 2.3L USA 05-06 FORD ESCAPE HYBRID 2.3L~3.0L USA 08-11	JAN. 2018	FEB. 2018

BRAKE SHOE

MK No.	Application	Releasing Month (accepting order)	Quotation Month
K2431 Made in Indonesia	TOYOTA YARIS NCP150, NSP150 GEN.GCC 16.04- TOYOTA YARIS NCP150R (1500cc) IDN 16.04- TOYOTA YARIS NCP151L, NSP150L PHL 16.04- TOYOTA YARIS NCP150R, NSP151R THA 16.04- TOYOTA YARIS (SEDAN) NCP150R, NSP151R MYS 16.04- TOYOTA LIMO (SEDAN) NCP150R MYS 16.04- TOYOTA LIMO (SEDAN) NCP151L IDN 16.04- TOYOTA LIMO (SEDAN) NCP151L PHL 16.04- TOYOTA LIMO (SEDAN) NCP150L, 151L VNM 16.04-	JAN. 2018	FEB. 2018

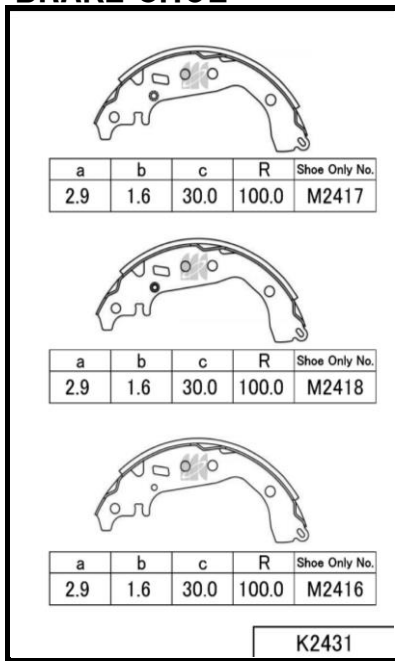
JANUARY New Item Drawing Information

BRAKE PAD

 <div style="border: 1px solid black; padding: 2px; width: fit-content; margin: 10px auto;"> X: 139.0 Y: 55.0 Z: 17.0 </div> <p style="text-align: center;">D6160</p>	 <div style="border: 1px solid black; padding: 2px; width: fit-content; margin: 10px auto;"> X: 131.6 Y: 54.6 Z: 16.0 </div> <p style="text-align: center;">D20063H</p>	 <div style="border: 1px solid black; padding: 2px; width: fit-content; margin: 10px auto;"> X: 170.5 Y: 62.0 Z: 16.5 </div>  <div style="border: 1px solid black; padding: 2px; width: fit-content; margin: 10px auto;"> X: 172.5 Y: 62.0 Z: 16.5 </div> <p style="text-align: center;">D20069H</p>
---------------------------------------------------------------------------------------------------------------------------------------------------------------------------------------------------------------------------------------------------------------------------------------------------------------	-----------------------------------------------------------------------------------------------------------------------------------------------------------------------------------------------------------------------------------------------------------------------------------------------------------------	------------------------------------------------------------------------------------------------------------------------------------------------------------------------------------------------------------------------------------------------------------------------------------------------------------------------------------------------------------------------------------------------------------------------------------------------------------------------------------------------------------------------------------------------------------------------------------------

JANUARY New Item Drawing Information

BRAKE SHOE



"Valuable information" Interchange information (Existing MK item)

MK No.	Application	Year
D11173MH	SSANGYONG STAVIC,RODIUS (2000cc,2700cc,3200cc)	2004.09-
D11210MH	SSANGYONG KORANDO C (2000cc,2200cc)	2010.08-
D5214M	HONDA ACCORD 4DOOR (2400cc) <FIN,NOR>	2015-2016
D5214M	HONDA ACCORD 4DOOR (2400cc) <FRO>	2017-
D5214M	HONDA ACCORD 4DOOR <AUS,GEN,THA,IDN,MAR>	2015-2016
K2386	MARUTI SUZUKI RITZ (1200cc PETROL,1300cc DIESEL) <IND>	2009.02-2016.11
K2386	MARUTI SUZUKI SWIFT (1300cc PETROL) <IND>	2005.05-2011.08
K2386	MARUTI SUZUKI SWIFT DZIRE (1300cc PETROL) <IND>	2007.03-2012.03
K2386	MARUTI SUZUKI SWIFT (1200cc PETROL) <IND>	2010.04-2011.12
K2386	MARUTI SUZUKI SWIFT DZIRE (1200cc PETROL) <IND>	2010.04-2012.03
K9992	MARUTI SUZUKI CELERIO (800cc DIESEL,1000cc PETROL) <IND>	2014.02-
K9992	MARUTI SUZUKI STINGRAY (1000cc PETROL) <IND>	2013.09-
K9992	MARUTI SUZUKI WAGON R (1100cc PETROL) <IND>	2000.01-2010.03
K9992	MARUTI SUZUKI WAGON R (1000cc PETROL) <IND>	2010.04-
K9992	MARUTI SUZUKI ZEN ESTILO (1000cc PETROL) <IND>	2007.01-2014.02