

## MK ITEM / INTERCHANGE NEWS

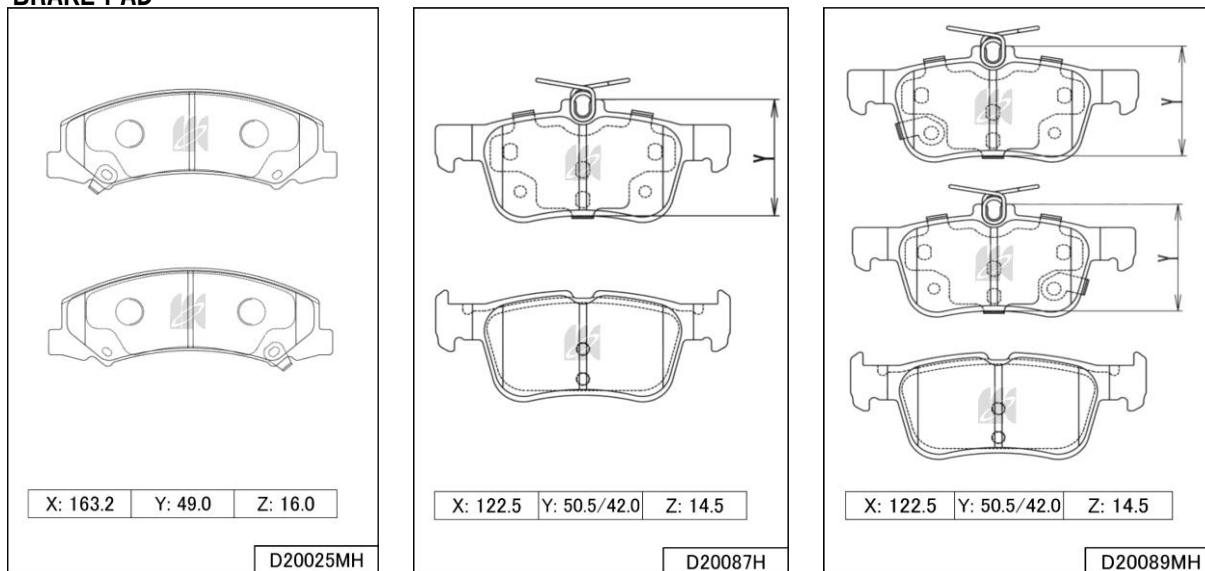
Date : June 10, 2019  
No. 19 - 06

### June New Item Information

#### BRAKE PAD

MK No.	Position	Application	Quotation Month
D20025MH Made in Indonesia FMSI NO. D1159	FRONT	BUICK LACROSSE 5.3L V8 (Super) 08-09 BUICK LUCERNE 3.8L V6 (CX, CXL), 4.6L V6 (CXL, CXS, Super) 06-11 CADILLAC DTS 4.6L V6 (Base, L, Platinum) 06-11 CHEVROLET IMPALA, IMPALA LIMITED 06-16 CHEVROLET MONTE CARLO 3.5L V6, 3.9L V6, 5.3L V8 06-07	June. 2019
D20087H Made in Indonesia FMSI No D1665 FMSI No D1833	REAR	FORD EDGE 2.0L ECOBOOST, 2.7L ECOBLST V6, 3.5L V6 15-17 FORD ESCAPE 1.5L 2.0L 17 FORD FUSION 1.5L, 1.6L, 2.0L 13-15 LINCOLN MKX 2.7L Ecoboost V6, 3.7L V6 16-17 LINCOLN MKZ 2.0L Ecoboost, 3.7L V6 13-17 FORD CHANGAN KUGA 1.6L, 2.0L 13-	June. 2019
D20089MH Made in Indonesia FMSI No D1665 FMSI No D1833 FMSI No D1834	REAR	FORD S-MAX, GALAXY 1.5L 2.0L 15- FORD FUSION HYBRID 2.0L 13-17 LINCOLN MKZ HYBRID 2.0L 15-17	June. 2019

#### BRAKE PAD



### "Valuable information" Interchange information (Existing MK item)

MK No.	Position	Application	Year
D9078	FRONT	SUZUKI VITARA (1600cc,2000cc) <EST,LTU,LVA,CIS>	2015-
D5243MH	REAR	ACURA RDX (2000cc) <USA>	2019
D5214M	FRONT	HONDA HR-V (1800cc) <USA>	2019
D5226M	REAR	HONDA HR-V (1800cc) <USA>	2019
D5187M	FRONT	HONDA PASSPORT (3500cc) <USA>	2019
D5191	REAR	HONDA PASSPORT (3500cc) <USA>	2019
D5191	REAR	HONDA PILOT (3500cc) <USA>	2019
D9039M	FRONT	SUZUKI CIAZ AVB414 (1400cc) <PAK>	2015-
K9991	REAR	SUZUKI CIAZ AVB414 (1400cc) <PAK>	2015-
D9027	FRONT	SUZUKI CULTUS AVK310 (1000cc) <PAK>	2017.04-
D9039M	FRONT	SUZUKI SWIFT AZF414 <AUS>	
K9991	REAR	SUZUKI SWIFT AZF414 <AUS>	
D5011	FRONT	SUZUKI WAGON-R A1J310 (1000cc) <PAK>	2014.04-
D9078	FRONT	SUZUKI VITARA APK414,APK416 (1600cc,2000cc) <ISR>	2015-