

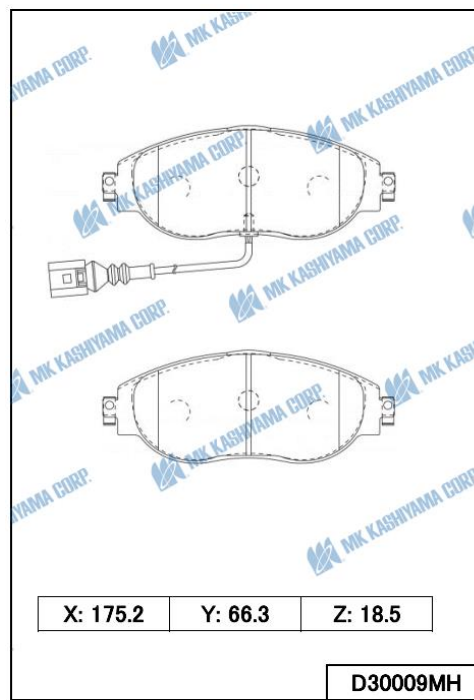
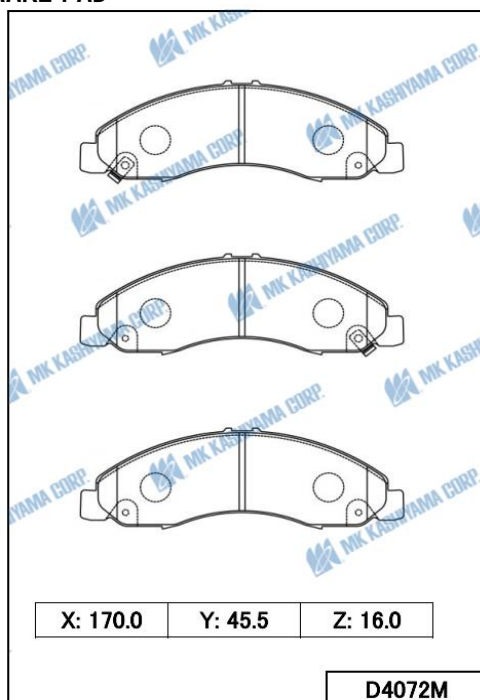
MK ITEM / INTERCHANGE NEWS

Date : April 10, 2020
No. 20 - 04

April New Item Information BRAKE PAD

MK No.	Position	Application	Quotation Month
D4072M Made in Indonesia	Front	ISUZU TRAGA 2500cc. 2018.04- <IDN>	April. 2020
D30009MH Made in Indonesia FMSI No D1633	Front	AUDI A3.S3 2000cc 2015-2017 <EUR.CHN> AUDI Q3 1400cc.2000cc.19.04- <CHN> SKODA KODIAQ 1400cc.1800cc.2000cc 17.07- <CHN> SKODA SUPERB 1400cc.2000cc 2015-2017 <EUR> VW GOLF R 2000cc 2015-2017 <EUR.USA> VW PASSAT CC 2000cc.3600cc 2009-2017 <EUR.USA> VW SHARAN 1400cc.2000cc 2011-2017 <EUR> VW TIGUAN 2000cc 2017-2018 <EUR.USA>	April. 2020

April New Item Drawing Information BRAKE PAD



New Regulation 90 Approval Item (For EU Market)

MK No.	Position	Application	Approval No.
K2389	Rear	TOYOTA VERSO-S 1300cc.1400cc 10.11-15.04	E1 90R-02A0422/0081
K9983	Rear	SUZUKI SX4 1500cc.2000cc 06-14	E1-90R-02A0422/0082
K9996	Rear	SUZUKI SX4 1500cc.2000cc 06-14	E1 90R-02A0422/0082
K11221	Rear	KIA RIO 1400cc.1500cc.1600cc 05.04-11.09	E1 90R-02A0422/0083
K11228	Rear	KIA CARNIVAL.SEDONA 2000cc.2700cc.2900cc 06.10-12.02	E1 90R-02A0246/0080

"Valuable information" Interchange information (Existing MK item)

MK No.	Position	Application	Year
D11166MH	FRONT	KIA CARNIVAL.SEDONA (2400cc.2500cc.2900cc) <GEN.KOR.ME.AUS>	1999.11-2000.12
D11166MH	FRONT	KIA CARNIVAL.SEDONA (2500cc.2900cc) <EUR.CIS>	1999.11-2003.12
D6146M	REAR	MITSUBISHI ASX GA1W.GA2W.GA3W (1600cc.1800cc.2000cc) <EUR.RU>	2014.05-2015.11
D6108H	FRONT	MITSUBISHI LANCER SPORTBACK CX4A (2000cc) <EUR.RUS.GEN>	2008.07-2017.08
D1263M	FRONT	NISSAN NP300 D22X (2400cc.2500cc) <MEX.GCC.LA.MER>	2008.03-2015.11
D9050MH	FRONT	NISSAN ALMERA N17KK (1500cc) <GEN.GCC>	2015.06-
D6141M	FRONT	MITSUBISHI L200 KL3T.KK4T (2400cc.2500cc) <MYS>	2015.01-
D5162M	REAR	HONDA SPIRIOR (2400cc) <CHN>	2009.07-2012.12
D11346H	REAR	VW (FAW) GOLF SPORTSVAN (1200cc) <CHN>	2018.12-
D11346H	REAR	VW (SVW) LAMANDO (1400cc.1800cc.2000cc) <CHN>	2015.01-