

MK ITEM / INTERCHANGE NEWS

Date : April 10, 2020

No. 20 - 04

New American Car Application 37 Items

April New Item Information

BRAKE PAD

MK No.	Position	Application	Quotation Month
D11332MH Made in Indonesia FMSI No D698 D814	Rear	BUICK CENTURY 3.1L V6 01-05 <USA> BUICK LACROSSE 5.3L V8 08-09 <USA> BUICK REGAL 3.8L V6 01-04 <USA> BUICK RENDEZVOUS 3.4L 3.6L V6 02-07 <USA> CHEVROLET MONTE CARLO 3.5L 3.9L V6 01-07 <USA> CHEVROLET VENTURE 3.4L V6 02-05 <USA>	April. 2020
D20013MH Made in Indonesia FMSI No D1028	Front	PONTIAC G5 2.2L 2.4L 2007 <USA> PONTIAC G6 2.4L 3.6L 05-10 <USA> SATURN ION 2.0L 03-07 <USA> SATURN SKY 2.0L 2.4L 07-10 <USA> CHVROLET HHR HRE 08-10 <USA> CHVROLET COBALT 2.0L 2.2L 2.4L 05-07 <USA>	April. 2020
D20016MH Made in Indonesia FMSI No D714	Rear	OLDSMOBILE AURORA 3.5L V6 4.0L V6 01-03 <USA> PONTIAC BONNEVILLE 3.8L 4.6L V6 04-05 <USA> BUICK LESABRE 3.8L V6 01-05 <USA> BUICK PARK AVENUE 3.8L V6 01-05 <USA> CADILLAC DEVILLE 4.6L V6 01-05 <USA> CADILLAC EL DORADO 4.6L V6 01-02 <USA>	April. 2020
D20027MH Made in Indonesia FMSI No D1363	Front	CADILLAC ESCALADE 6.0L 6.2L V8 08-18 <USA> CHEVROLET AVALANCHE 5.3L 6.0L V8 07-13 <USA> CHEVROLET EXPRESS 6.0L V8 08-14 <USA> CHEVROLET SILVERADO 1500 4.3L V6 4.8L V8 05-18 <USA> CHEVROLET SUBURBAN 5.3L 6.0L V8 08-18 <USA> CHEVROLET TAHOE 5.3L 6.0L V8 08-18 <USA>	April. 2020
D20032MH Made in Indonesia FMSI No D1057	Rear	CHRYSLER 300.300C 2.7L 3.6L V6 05-17 <USA> DODGE CHALLENGER 3.5L V6 5.7L V8 09-17 <USA> DODGE CHARGER 2.7L V6 3.5L V6 5.7L V8 06-17 <USA> DODGE MAGNUM 2.7L V6 3.5L V6 5.7L V8 05-08 <USA>	April. 2020
D20033MH Made in Indonesia FMSI No D369	Front	CHEVROLET EXPRESS 1500 01-02 <USA> GMC SAVANA 1500.2500 01-02 <USA>	April. 2020
D20036MH Made in Indonesia FMSI No D975	Rear	CHEVROLET SILVERADO 1500 4.3L V6 4.8L V8 5.3L V8 01-06 <USA> CHEVROLET SILVERADO HYBRID 5.3L V8 04-06 <USA> CHEVROLET SUBURBAN 5.3L V8 00-05 <USA> CHEVROLET TAHOE 5.4L V8 3L V8 00-06 <USA> GMC SIERRA 1500 4.3L V6 4.8L V8 5.3L V8 6.0L V8 01-05 <USA> GMC YUKON 4.8L V8 5.3L V8 01-06 <USA>	April. 2020
D20037H Made in Indonesia FMSI No D931	Front	LINCOLN TOWN CAR 4.6L V8 04-11 <USA> FORD CROWN VICTORIA 4.6L V8 07-14 <USA> FORD POLICE INTERCEPTER (SEDAN) 4.6L V8 07-12 <USA>	April. 2020
D20044MH Made in Indonesia FMSI No D1056	Front	CHRYSLER 300.300C 2.7L V6 3.5L V6 5.7L V8 05-10 <USA> DODGE CHALLENGER 3.5L V6 5.7L V8 09-10 <USA> DODGE CHARGER 2.7L V6 3.5L V6 5.7L V8 06-10 <USA> DODGE MAGNUM 2.7L V6 3.5L V6 5.7L V8 05-08 <USA>	April. 2020
D20046MH Made in Indonesia FMSI No D1033 D1364	Rear	PONTIAC G5 2.2L 2.4L 07-09 <USA> PONTIAC G6 2.4L 3.5L 3.6L V6 05-10 <USA> SATURN AURA 2.4L L4 3.5L V6 3.6 07-09 <USA> SATURN ION 2.0L 03-07 <USA> CHEVROLET COBALT 2.0L 2.2L 2.4L 05-08 <USA> CHEVROLET MALIBU 2.0L 2.2L 2.4L 04-12 <USA>	April. 2020
D20049H Made in Indonesia FMSI No D756 D824	Front	FORD TRUCK EXCURSION 00-05 <USA> FORD TRUCK F-250 SUPER DUTY 99-04 <USA> FORD TRUCK F-350 SUPER DUTY 98-04 <USA> FORD VAN E-350 WCONLINE 98 <USA>	April. 2020
D20071MH Made in Indonesia FMSI No D1734	Rear	CHRYSLER 200 2.4L 3.6L V6 16-17 <USA> JEEP CHEROKEE 2.4L 3.2L V6 14-17 <USA>	April. 2020
D20074H Made in Indonesia FMSI No D1770	Front	FORD EXPEDITION 3.5L V6 5.4L V8 10-16 <USA> FORD F-150 3.5L ECOBOOST V6 3.7L V6 5.0L V8 6.2L V8 10-17 <USA> LINCOLN NAVIGATOR 3.5L EcoBoost V6 5.4L V8 10-16 <USA>	April. 2020
D20079H Made in Indonesia FMSI No D1611	Front	FORD EXPLORER 2.0L ECOBOOST 3.5L ECOBOOST V6 3.5L V6 13-16 <USA> FORD TAURUS 3.5L ECOBOOST 13-15 <USA> LINCOLN MKX 3.5L EcoBoost V6 3.7L V6 13-14 <USA>	April. 2020

MK ITEM / INTERCHANGE NEWS

Date : April 10, 2020

No. 20 - 04

New American Car Application 37 Items

D20083MH Made in Indonesia FMSI No D909	Front&Rear	CHEVROLET AVALANCHE 8.1L V8 02-06 <USA> CHEVROLET EXPRESS2500 4.8L V8, 6.6L DIESEL V8 03-17 <USA> CHEVROLET SILVERADO 1500 4.3L V6, 4.8L V8, 5.3L V8 01-06 <USA> CHEVROLET SILVERADO 2500 6.0L V8, 6.6L V8, 8.1L V8 01-10 <USA> CHEVROLET SILVERADO 3500 6.0L V8, 6.6L V8, 8.1L V8 01-07 <USA> GMC SAVANA 2500.3500 RWD 03-10 <USA>	April. 2020
D20086H Made in Indonesia FMSI No D1691	Rear	FORD SUPER DUTY F-250.F-350 6.2L V8, 6.7L V8 DIESEL TURBO 13-16 <USA> FORD SUPER DUTY F-450.F-550 6.7L V8 DIESEL TURBO.6.8L V10 13-16 <USA>	April. 2020
D20097MH Made in Indonesia FMSI No D1339	Front	FORD FOCUS 2.0L 08-11 <USA>	April. 2020
D20100H Made in Indonesia FMSI No D1631	Front	FORD SUPER DUTY F-250.F-350 5.4L V8, 6.4L V8 TURBO.6.8L V10 05-13 <USA> FORD SUPER DUTY F-450.F-550 6.4L V8 DIESEL TURBO, 6.8L V10 08-13 <USA>	April. 2020
D20101H Made in Indonesia FMSI No D1067	Rear	FORD SUPER DUTY F-250.F-350 5.4L V8, 6.4L V8 TURBO.6.8L V10 05-13 <USA>	April. 2020
D20111MH Made in Indonesia FMSI No D883	Rear	GMC ACADIA 3.6L V6 07-17 <USA> SATURN OUTLOOK 3.6L V6 07-10 <USA> BUICK ENCLAVE 3.6L V6 08-17 <USA> CHEVROLET TRAVERSE 3.6L V6 09-17 <USA>	April. 2020
D20113H Made in Indonesia FMSI No D1068	Rear	FORD SUPER DUTY F-250.F-350 5.4L V8, 6.4L V8 TURBO.6.8L V10 05-07 <USA>	April. 2020
D20114H Made in Indonesia FMSI No D1790	Rear	FORD F-150 2.7L ECOBOOST V6.3.5L V6,3.5L ECOBOOST V6.5.0L V8 15-17 <USA>	April. 2020
D20120MH Made in Indonesia FMSI No D699	Front	PONTIAC BONNEVILLE 3.8L V6, 4.6L V6 00-05 <USA> BUICK LESABRE 3.8L V6 01-05 <USA>	April. 2020
D20123MH Made in Indonesia FMSI No D1194	Rear	CADILLAC ESCALADE 6.2L V8 07-14 <USA> CHEVROLET AVALANCHE 5.3L V8, 6.0L V8 07-13 <USA> CHEVROLET SILVERADO 1500 4.3L V6, 4.8L V8,5.3L V8, 6.0L V8 07-13 <USA> CHEVROLET SILVERADO HYBRID 6.0L V8 09-13 <USA> CHEVROLET SUBURBAN 1500 5.3L V8, 6.0L V8 07-14 <USA> CHEVROLET TAHOE 4.8L V8, 5.3L V8, 6.0L HYBRID, 6.2L V8 07-14 <USA>	April. 2020
D20126H Made in Indonesia FMSI No D1084	Front	MITSUBISHI RAIDER 3700cc V6, 4700cc V8 05-09 <USA> CHRYSLER ASPEN 4.7L V8, 5.7L V8 07-09 <USA> DODGE DAKOTA 3.7L V6, 4.7L V8 05-09 <USA> DODGE DURANGO 3.7L V6, 4.7L V8, 5.7L V8 07-17 <USA> DODGE RAM PICKUP 1500 3.7L V6, 4.7L V8, 5.7L V8 06-09 <USA>	April. 2020
D20127MH Made in Indonesia FMSI No D729	Rear	CHEVROLET BLAZER 4.3L V6 01-05 <USA> GMC SONOMA 4.3L V6 01-04 <USA> OLDSMOBILE BRAVADA 4.3L V6 2001 <USA>	April. 2020
D20130MH Made in Indonesia FMSI No D1326	Rear	DODGE CARAVAN 3.6L V6 12-16 <USA>	April. 2020
D20135MH Made in Indonesia FMSI No D1274	Rear	DODGE NITRO 3.7L V6, 4.0L V6 07-11 <USA> JEEP LIBERTY 3.7L V6 08-12 <USA> JEEP WRANGLER 3.8L V6 07-17 <USA>	April. 2020
D20137MH Made in Indonesia FMSI No D679	Front	LINCOLN BLACKWOOD 5.4L V8 02-13 <USA>	April. 2020

MK ITEM / INTERCHANGE NEWS

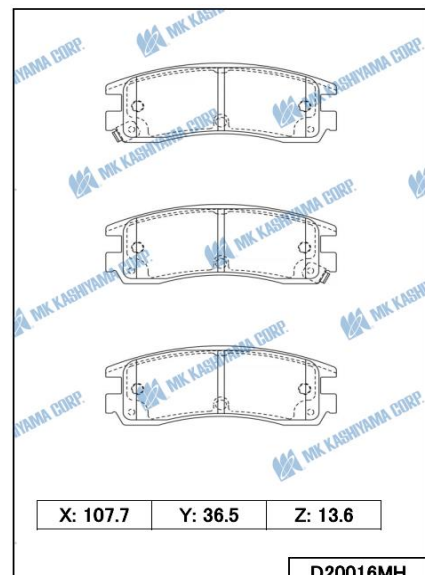
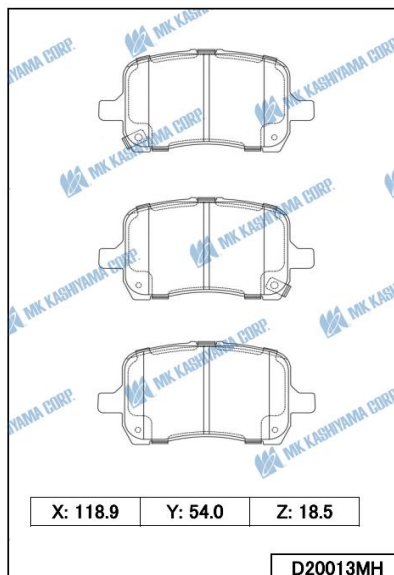
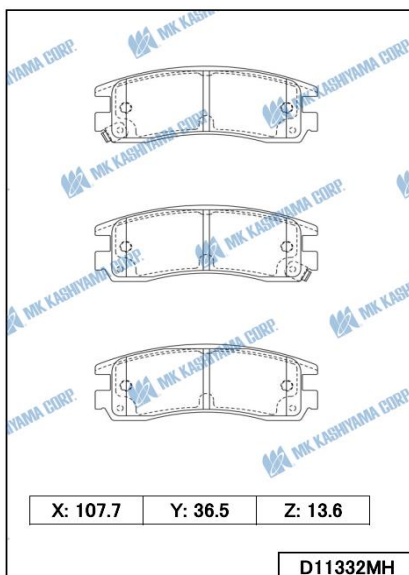
Date : April 10, 2020

No. 20 - 04

New American Car Application 37 Items

D20143H Made in Indonesia FMSI No D882	Front	BUICK RAINIER 4.2L L6, 5.3L V8 04-05 <USA> CHEVROLET SSR 5.3L V8 6.0L V8 03-06 <USA> CHEVROLET TRAILBLAZER 4.2L, 5.3L V8 02-06 <USA> GMC ENVOY 4.2L, 5.3L V8 02-05 <USA> OLDSMOBILE BRAVADA 4.2L V6 02-04 <USA>	April. 2020
D20144MH Made in Indonesia FMSI No D1075	Front	BUICK LACROSSE 3.6L, 3.8L V6 05-09 <USA> BUICK TERRAZA 3.5L V6, 3.9L V6 05-07 <USA> CHEVROLET UPLANDER 3.5L, 3.9L V6 05-08 <USA> PONTIAC GRAND PRIX 3.8L V6 05-08 <USA> PONTIAC MONTANA 3.5L V6 02-06 <USA> SATURN 3.5L V6, 3.9L V6 05-07 <USA>	April. 2020
D20149H Made in Indonesia FMSI No D1774	Front	FORD TRANSIT 3.2L DIESEL, 3.5L ECOBOOST V6, 3.7L V6 15-17 <USA>	April. 2020
D20150MH Made in Indonesia FMSI No D1160	Front	CHEVROLET HHR 2.0L, 2.2L, 2.4L 06-11 <USA> CHEVROLET MALIBU 2.2L, 3.5L, 3.9L 04-12 <USA> PONTIAC G5 2.2L L4, 2.4L L4 08-09 <USA> SATURN AURA 2.4L L4, 3.5L V6 07-09 <USA>	April. 2020
D20154H Made in Indonesia FMSI No D757	Front	FORD TRUCK EXCURSION 00-05 <USA> FORD TRUCK F-250 SUPER DUTY 99-04 <USA> FORD TRUCK F-350 SUPER DUTY 98-04 <USA>	April. 2020
D20159H Made in Indonesia FMSI No D598	Front	LINCOLN CONTINENTAL 95-02 <USA> LINCOLN MARK VII 93-98 <USA>	April. 2020
D20171MH Made in Indonesia FMSI No D1430	Rear	BUICK LACROSSE 2.4L L4, 3.0L, 3.6L V6 10-16 <USA> BUICK REGAL 2.0L L4, 2.4L L4 11-17 <USA> CADILLAC XTS 3.6L V6 13-18 <USA> CHEVROLET IMPALA 2.4L, 2.5L, 3.5L V6 14-18 <USA> CHEVROLET MALIBU 2.0L, 2.4L, 2.5L V6 13-16 <USA>	April. 2020
D20195H Made in Indonesia	Rear	CHRYSLER TOWN&COUNTRY 08-12 <USA> DODGE JOURNEY 09-12 <USA> DODGE GRAND CARAVAN 08-12 <USA> VW ROUTAN 09-12 <USA>	April. 2020

April New Item Drawing Information BRAKE PAD



MK ITEM / INTERCHANGE NEWS

Date : April 10, 2020

No. 20 - 04

New American Car Application 37 Items

①	X: 184.3	Y: 63.8	Z: 18.0
②	X: 184.3	Y: 49.8	Z: 18.0

D20027MH

X: 101.3	Y: 53.5	Z: 16.5
----------	---------	---------

D20032MH

①	X: 125.7	Y: 54.0	Z: 16.5
②	X: 147.3	Y: 44.0	Z: 15.5

D20033MH

X: 183.6	Y: 49.0	Z: 16.0
----------	---------	---------

D20036MH

X: 185.2	Y: 61.5	Z: 16.5
----------	---------	---------

D20037H

X: 150.4	Y: 53.3	Z: 17.5
----------	---------	---------

D20044MH

X: 113.9	Y: 40.3	Z: 13.5
----------	---------	---------

D20046MH

X: 193.2	Y: 48.5	Z: 17.5
----------	---------	---------

D20049H

X: 115.6	Y: 47.2	Z: 16.5
----------	---------	---------

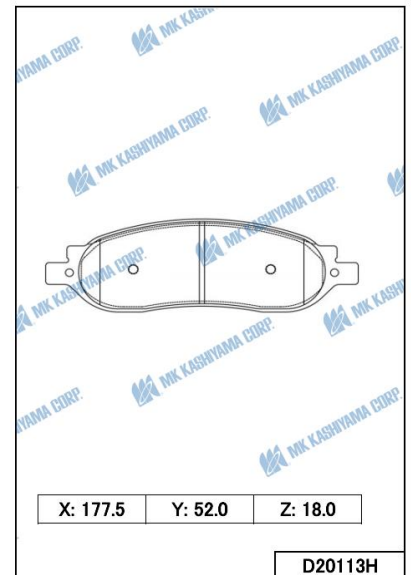
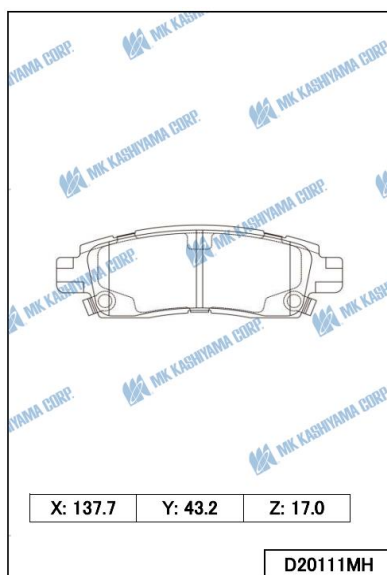
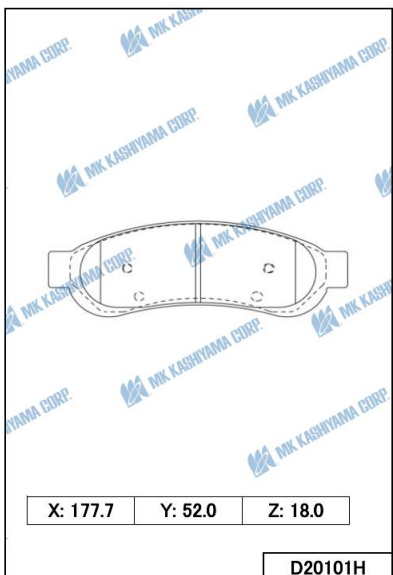
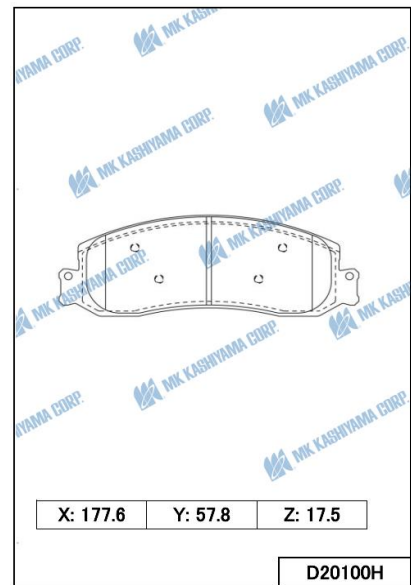
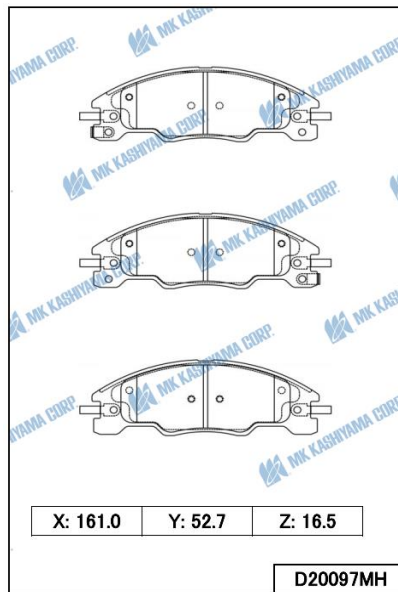
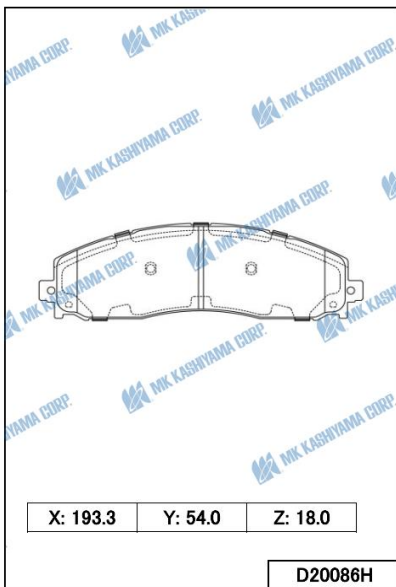
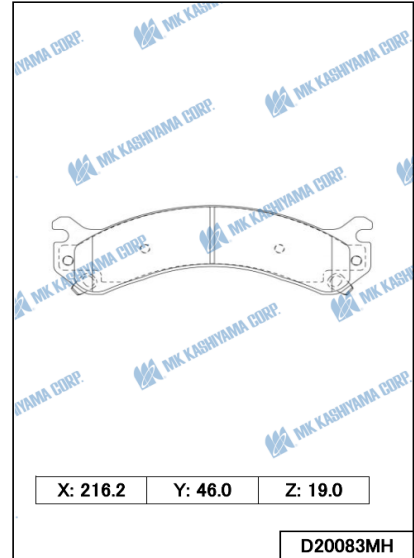
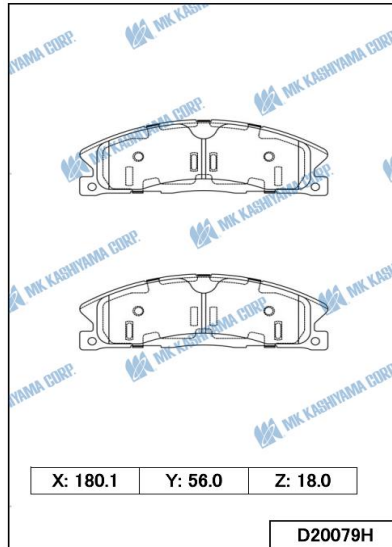
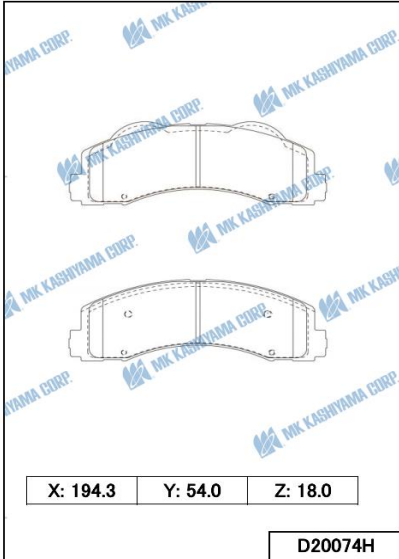
D20071MH

MK ITEM / INTERCHANGE NEWS

Date : April 10, 2020

No. 20 - 04

New American Car Application 37 Items

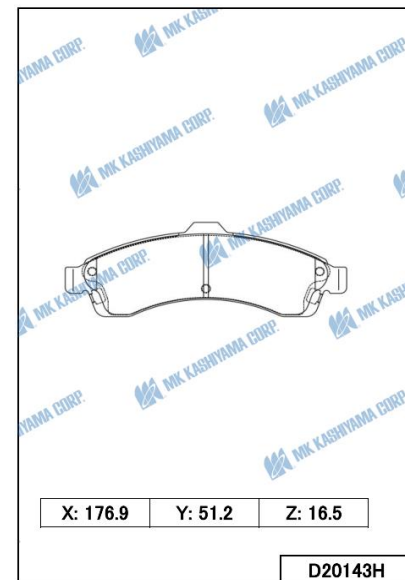
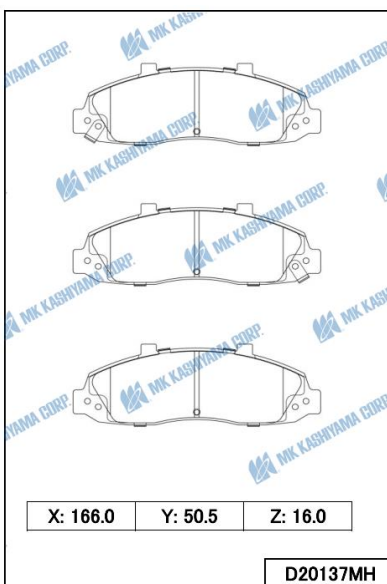
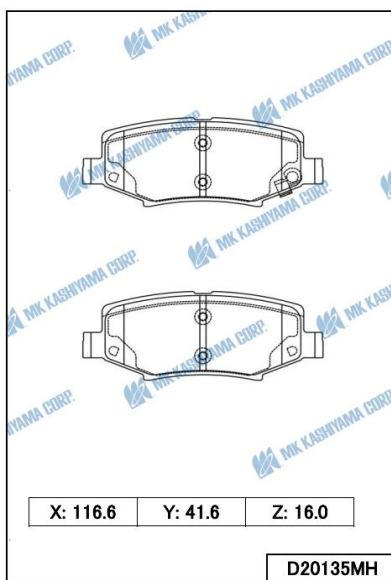
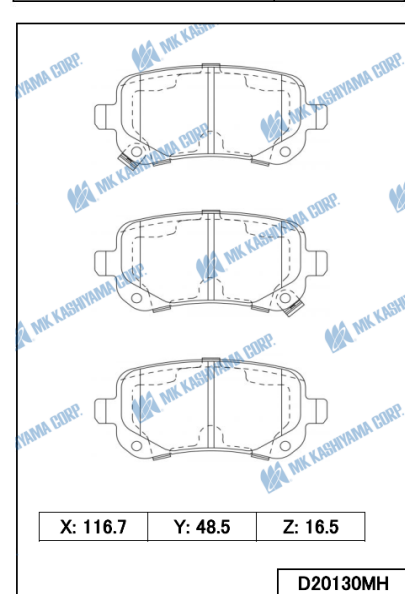
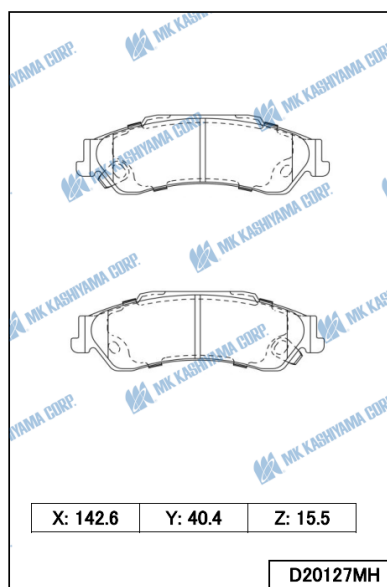
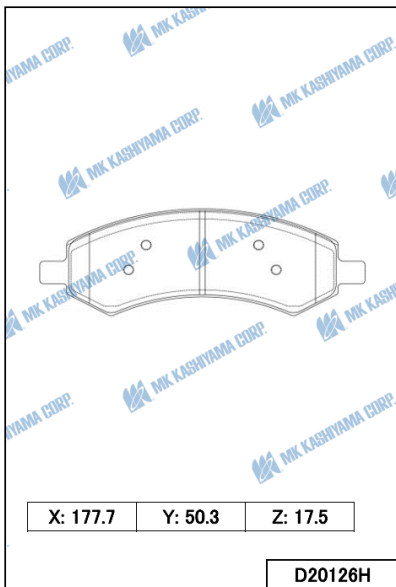
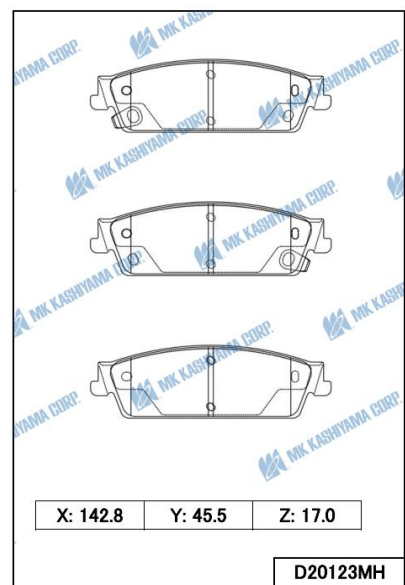
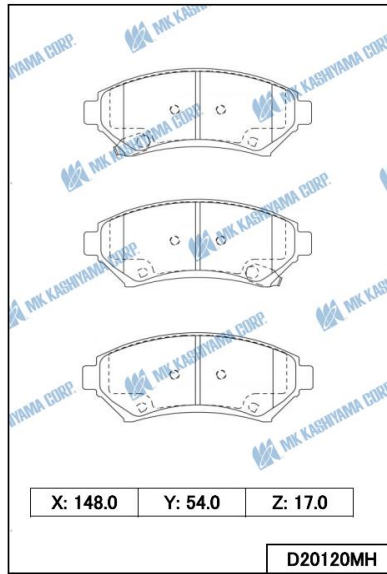
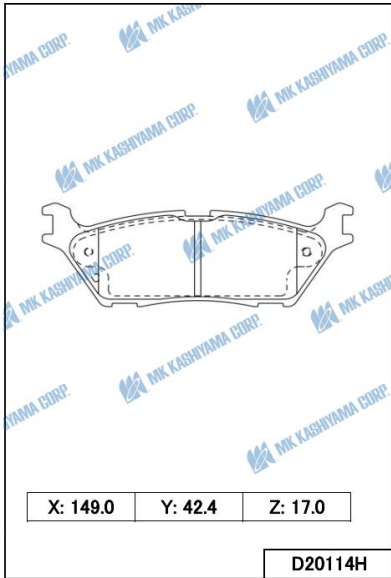


MK ITEM / INTERCHANGE NEWS

Date : April 10, 2020

No. 20 - 04

New American Car Application 37 Items



MK ITEM / INTERCHANGE NEWS

Date : April 10, 2020

No. 20 - 04

New American Car Application 37 Items

