

Notice of Temporary Holiday

Dear Valued customers

Each national economic activity will slowly start to try to recover. However, there are still hard situation in each country. Japan also increase infected person more than before. Some place has been started limited movement and announced emergency declaration. The situation of future national economic is not able to unpredictable. We hope it will get back to normal lifestyle soon.

We would like to inform you we are going to be temporarily closed to adjust production capacity from the market under COVID-19 situation.

All Division will be closed; **on 4th, 11st, 18th and 28th of September.**
Public Holiday; **on 21st and 22nd of September.**

There is a possibility to change the operation plan by situation of demand trend.

We apologize for any inconveniences.
It would be highly appreciated your understanding and cooperation.

Thank you very much.

Sincerely,
Tsuyoshi Kashiya
CEO, MK Kashiya Corp.

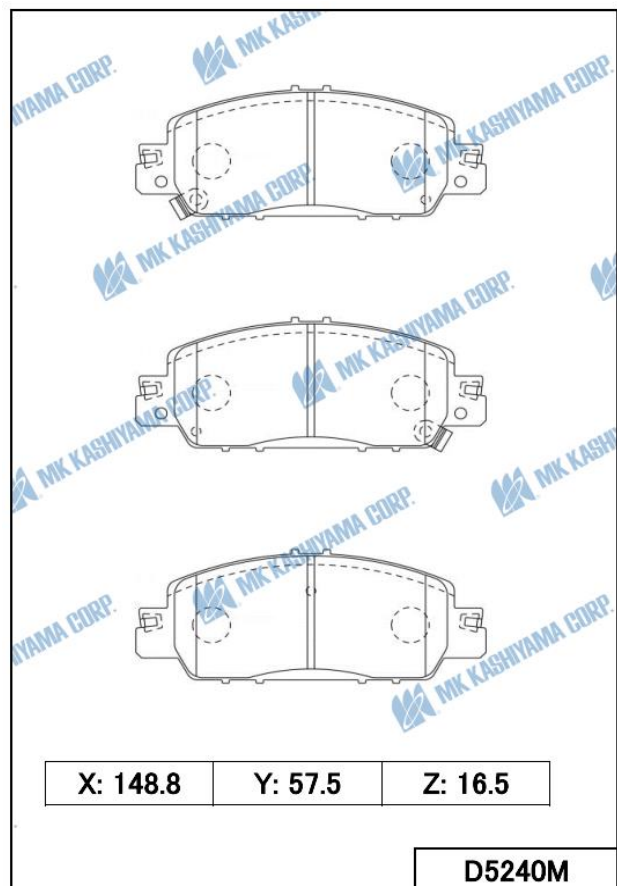
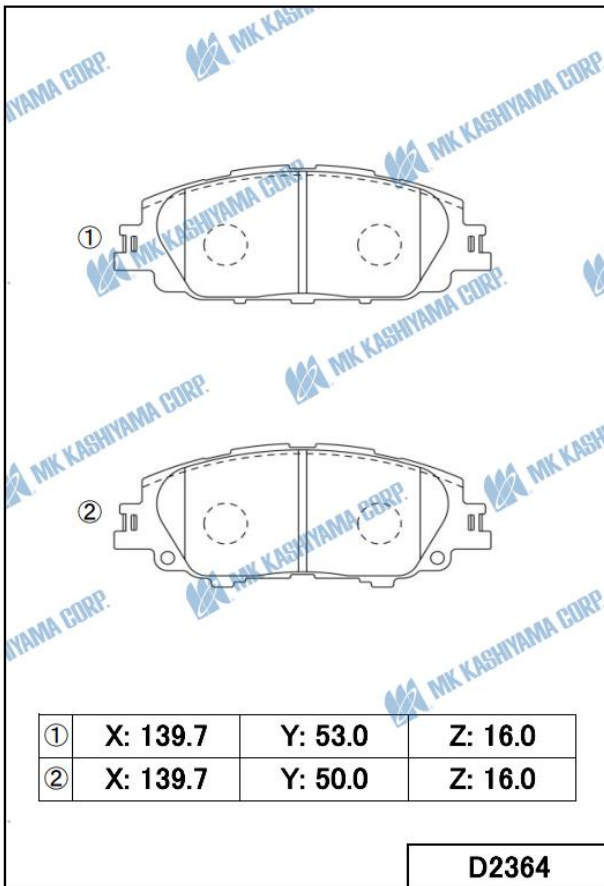
August New Item Information

BRAKE PAD

MK No.	Position	Application	Quotation Month
D2364 Made in Indonesia FMSI No D2176	Front	Toyota COROLLA HATCHBACK MZEA12 (2000cc) 18.06- <USA,CAN> Toyota AURIS MZEA12 (2000cc) 18.06- <TWN> Toyota COROLLA MZEA12 (2000cc) ,NRE210 (1200cc) 18.06- <AUS,ZAF>	August. 2020
D5240M Made in Japan FMSI No D1860	Front	Honda ACCORD COUPE LX-S (2400cc) 2016-17 <USA>	August. 2020
D6169 Made in Indonesia	Front	Mitsubishi ECLIPSE CROSS GK1W (1500cc TURBO) 17.10- <EUR> Mitsubishi OUTLANDER PHEV GG3W (2400cc PLUG-IN HYBRID) 18.05- <EUR>	August. 2020
D20133MH Made in Indonesia FMSI No D856	Front	Chrysler TOWN & COUNTRY (3300cc) 2004-07 <USA> Chrysler VOYAGER (2400c,3400cc) 2001-03 <USA> Dodge CARAVAN (3300cc) 2001-07 <USA> Jeep LIBERTY (2400cc,2800cc,3700cc) 2002-07 <USA>	August. 2020

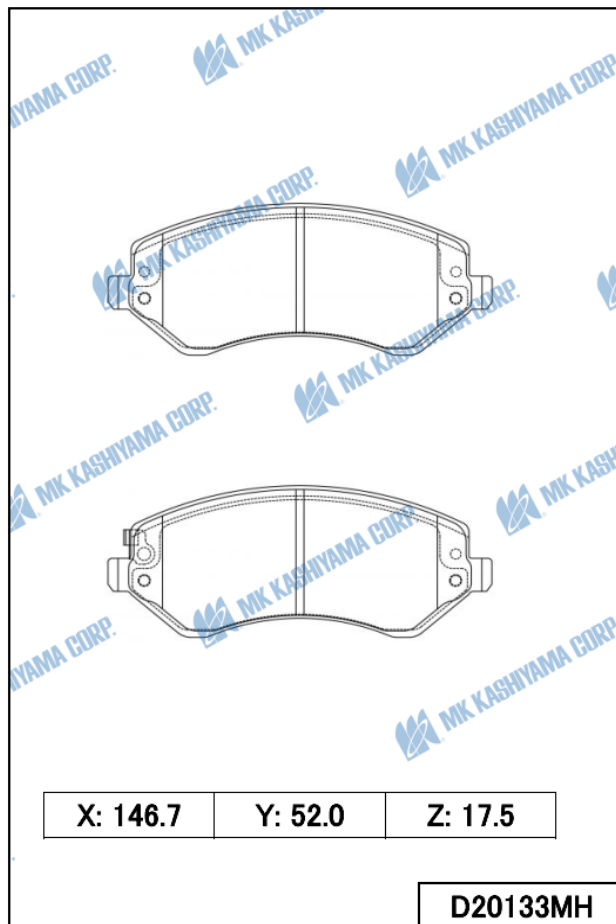
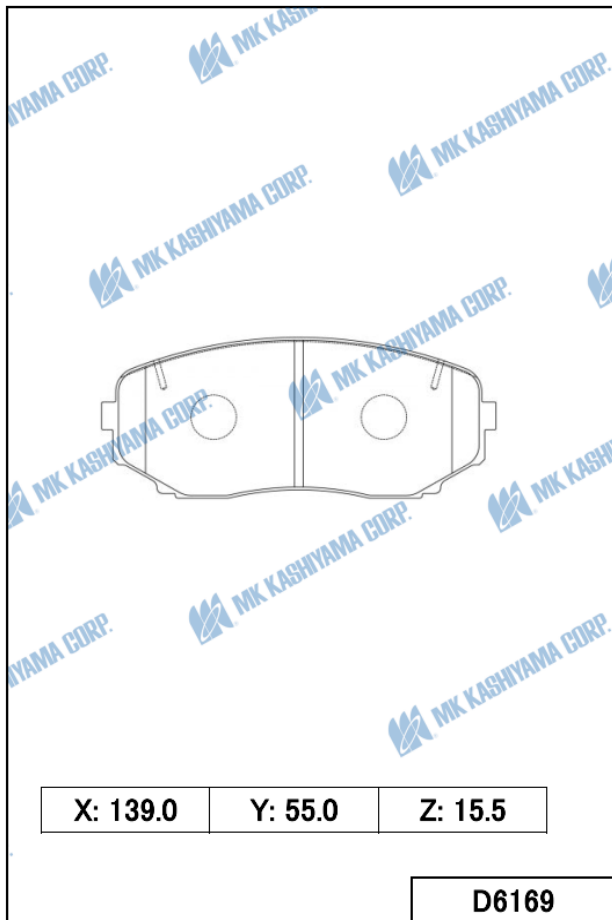
August New Item Drawing Information

BRAKE PAD



August New Item Drawing Information

BRAKE PAD



"Valuable information"
Interchange information (Existing MK item)

MK No.	Position	Application	Year
D1309M	Rear	TOYOTA 86 ZN6 TRD SPECIAL EDITION (2000cc) <USA>	2018.07-
D1309M	Rear	TOYOTA 86.GT86 ZN6 (2000cc) <EUR>	2016.08-
D7081M	Front	SUBARU LEGACY (2500cc) <USA>	2020-
D11355MH	Rear	HYUNDAI TUCSON (2000cc,2400cc) <USA>	2019-
D11352MH	Rear	HYUNDAI KONA ELECTRIC <USA>	2019-

Newly start production at Indonesia Factory (Existing MK Item)

- D1243
- D2207M
- D2276
- D4052
- D4054
- D4060M
- D4068M

are available in indonesia from August order.