

MK KASHIYAMA ITEM / INTERCHANGE NEWS

Announcement

■ Change the thickness of Brake pad

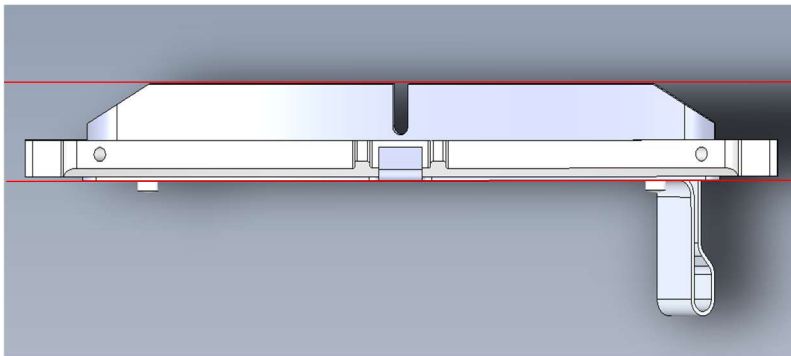
The thickness of the brake pads for the following items will change **from 15.5 mm to 16.5 mm**.

Also, Applicable vehicle models have been added as follows.

※This change will not affect any fitment/performance of Brakes.

<From July shipment>

| No. | Origin | New application | Position |
|---------|-------------------|--------------------------------|----------|
| D5198M | Made in Indonesia | HONDA CIVIC VIII 1.8L 2011.11- | Front |
| D5198MH | Made in Indonesia | HONDA CIVIC VIII 1.8L 2011.11- | Front |



<Old thickness>

15.5mm



<New thickness>

16.5mm