

MK ITEM / INTERCHANGE NEWS

Date : May 11, 2020
No. 20 - 05

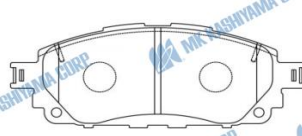
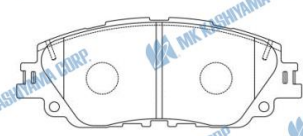
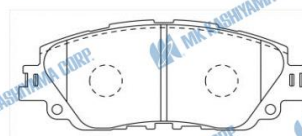
May New Item Information

BRAKE PAD

MK No.	Position	Application	Quotation Month
D2355 Made in Indonesia FMSI No D2006	Front	Toyota INNOVA TGN140.141 (2000cc,2400cc) 15.11- <GEN,LA,PHL,VNM,MYS> Toyota HILUX GUN122,KUN125 (2400cc,2500cc) 15.05- <GEN,GCC,IDN,THA,ZAF>	May. 2020
D2360 Made in Japan FMSI No D2076	Front	Toyota C-HR MAXA10 (2000c) 18.08- <CHN> Toyota CAMRY ASV70,AXVH71 (2000cc,2500cc,3500cc) 17.09- <EUR,GCC,GEN> Toyota RAV4 AXAA52.54 (2500cc) 18.11- <USA,CAN,GEN> Toyota AVALON AXXH50 (2500cc,3500cc) 18.04- <USA> Lexus ES AXZA10,ASZ10 (2000cc,2500cc,3500cc) 18.06- <EUR,GEN,GCC> Lexus UX MZAA10,MZAH10 (2000cc) 18.10- <EUR,GEN,AUS,GCC>	May. 2020
D2367 Made in Japan	Front	Lexus UX MZAA10,MZAH10 (2000cc) 18.10- <EUR>	May. 2020
D11439MH Made in Indonesia	Front	Hyundai H-1 (2400cc,2500cc) 15.07- <AUS> Hyundai GRAND STAREX (2400cc,2500cc) 15.07- <KOR>	May. 2020
D20068H Made in Indonesia FMSI No D1047	Front	Mazda TRIBUTE (2300cc,2500cc,3000cc) 10.06- <USA,CAN> Ford ESCAPE (2300cc,2500cc,3000cc) 10.06- <USA> Ford MAVERICK (2300cc,2500cc,3000cc) 07.01- <CHN>	May. 2020
D20117MH Made in Indonesia FMSI No D1802	Front	Chevrolet COLORADO (2500cc,2800cc,3600cc) 15-18 <USA> GMC CANYON (2500cc,2800cc,3600cc) 15-18 <USA>	May. 2020
D20168MH Made in Indonesia FMSI No D898	Rear	Dodge RAM PICKUP 1500 (3700cc,4700cc,5900cc) 02' <USA>	May. 2020

May New Item Drawing Information

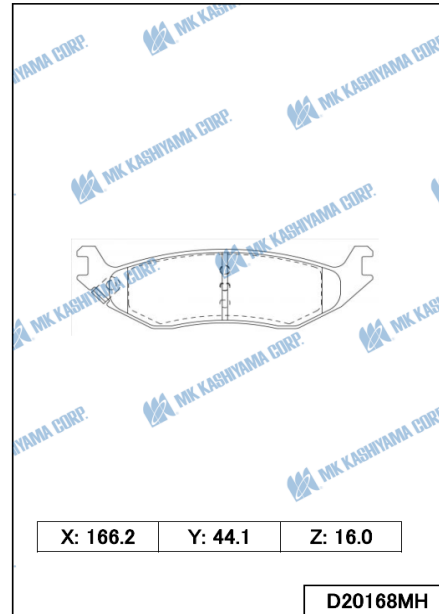
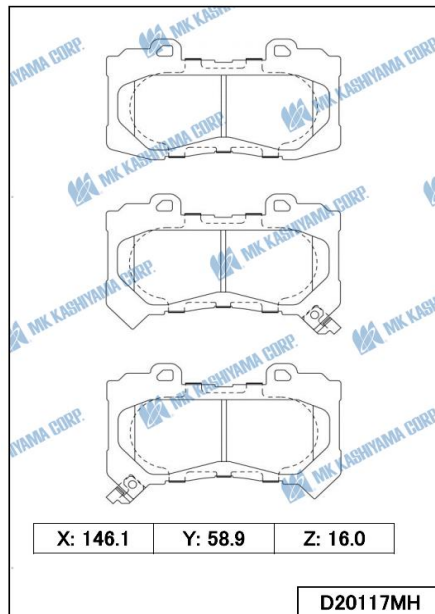
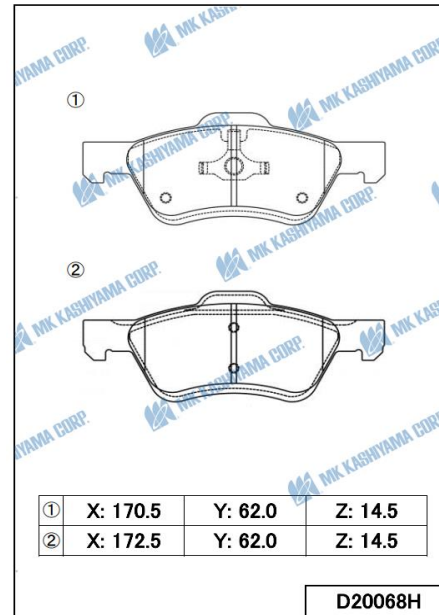
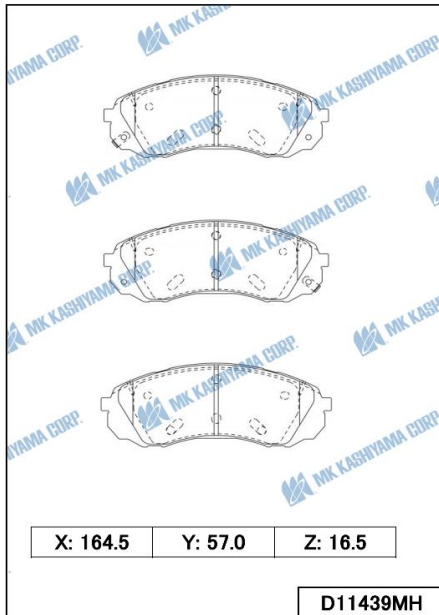
BRAKE PAD

											
<table border="1"> <tr> <td>X: 144.8</td> <td>Y: 53.4</td> <td>Z: 15.5</td> </tr> </table>	X: 144.8	Y: 53.4	Z: 15.5	<table border="1"> <tr> <td>X: 142.7</td> <td>Y: 51.0</td> <td>Z: 16.5</td> </tr> </table>	X: 142.7	Y: 51.0	Z: 16.5	<table border="1"> <tr> <td>X: 142.7</td> <td>Y: 51.0</td> <td>Z: 16.5</td> </tr> </table>	X: 142.7	Y: 51.0	Z: 16.5
X: 144.8	Y: 53.4	Z: 15.5									
X: 142.7	Y: 51.0	Z: 16.5									
X: 142.7	Y: 51.0	Z: 16.5									
D2355	D2360	D2367									

MK ITEM / INTERCHANGE NEWS

Date : May 11, 2020
No. 20 - 05

May New Item Drawing Information BRAKE PAD



ANNOUNCEMENT : DISCONTINUED ITEM

We consider the following items are in very low demand.
So we decided to stop production in Japan.
Sorry for this inconvenience, but your kind understanding would be highly appreciated.
If you have any questions, please do not hesitate to ask us.

MK NO.	JAPAN
K3419	Discontinue of receiving orders from May. 2020
K3420	Discontinue of receiving orders from May. 2020

"Valuable information" Interchange information (Existing MK item)

MK No.	Position	Application	Year
D1119M	Front	NISSAN ALTIMA L31 (2500cc,3500cc) <GCC>	2004.03-2007.04
D11324MH	Rear	JEEP GRAND CHEROKEE (3000cc,3600cc,5700cc,6100cc,6400cc) <USA>	2011-2017
D11344H	Rear	AUDI TT,S3 Limousine (2000cc) <CHN>	2017-2018
D11342H	Rear	AUDI S3 Limousine (2000cc) <CHN>	2017-2018
D11342H	Rear	AUDI A3 Sportback,A3 Limousine,A3 Cabriolet, (1800cc,2000cc) <CHN>	2017-2018
D11342H	Rear	AUDI S3 Limousine (2000cc) <CHN>	2017-2018
D11342H	Rear	AUDI TT,S3 Limousine (2000cc) <CHN>	2015-2018
D2354	Front	Toyota HILUX GGN120,GUN122 (2400cc,4000cc) <AUS,GEN,GCC,PHL,THA>	2015.05-
	Front	Toyota HILUX GUN123,TGN121 (2700cc,2800cc) <AUS,GEN,GCC,IDN,THA,ZAF>	2015.05-