

Notice of Temporary Holiday

Dear Valued customers

Each national economic activity will slowly start to try to recover. However, there are still hard situation in each country. We hope it will get back to normal lifestyle soon.

We would like to inform you we are going to be temporarily closed for production adjustment due to very low demand from the market under COVID-19 situation.

All division will be closed; **on 10th, 17th, 30th of July and 21st, 24th of August.**
Public Holiday; **on 24th, 31th of July to 3rd of August.**
Summer Vacation; **on 8th to 16th of August.**

There is a possibility to change the operation plan by situation of demand trend. In addition, there will be a possibility to continue same situation after August.

We apologize for any inconveniences.
It would be highly appreciated your understanding and cooperation.

Thank you very much.

Sincerely,
Tsuyoshi Kashiya
CEO, MK Kashiya Corp.


MK KASHIYAMA CORP.
MK ITEM / INTERCHANGE NEWS

Date : July 7, 2020
No. 20 - 07

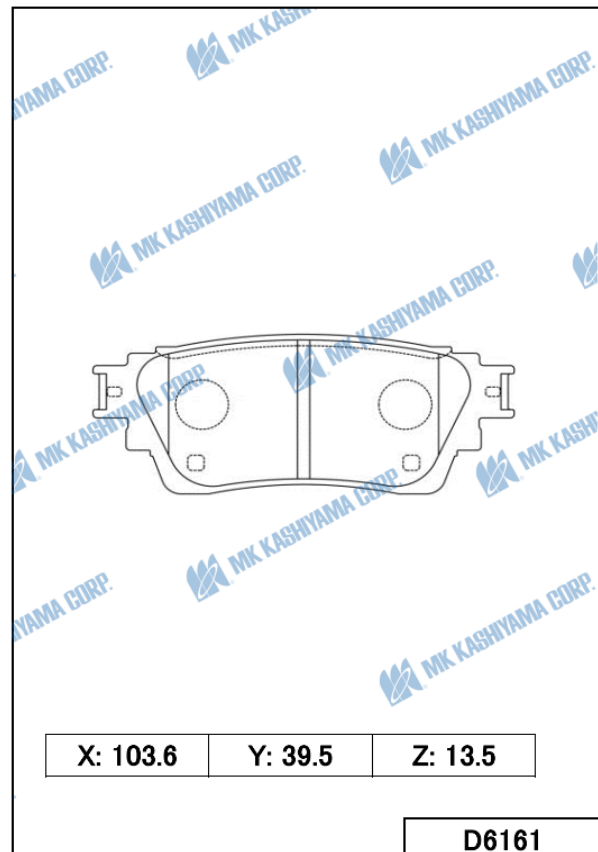
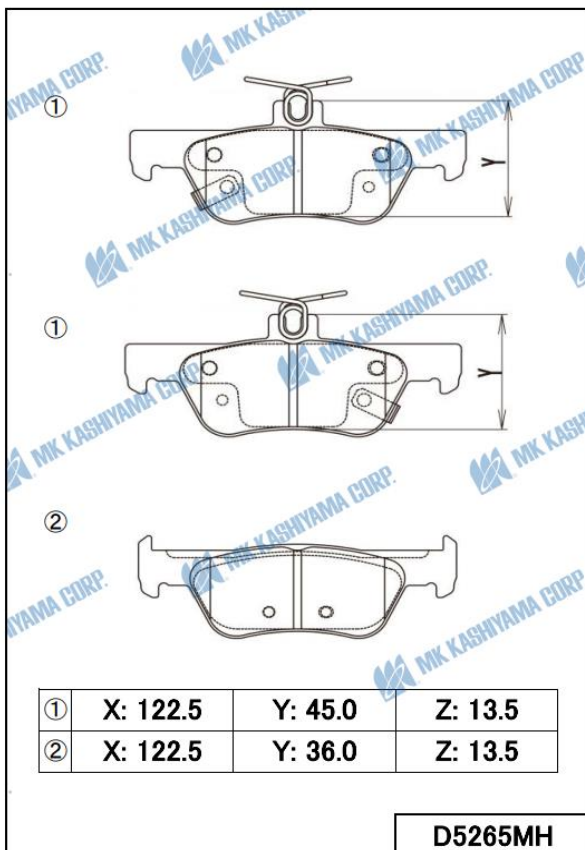
July New Item Information

BRAKE PAD

MK No.	Position	Application	Quotation Month
D5265MH Made in Japan	Rear	Honda FIT.FIT e : HEV 1300/1500cc 20.03- <JPN>	July. 2020
D6161 Made in Japan FMSI N D2135	Rear	Mitsubishi ECLIPSE CROSS 1500cc W/EPB 17.10- <EUR.RUS.USA.CAN.GEN.GCC> Mitsubishi OUTLANDER 2000/2200/2400/3000cc 16.08- <EUR.RUS.USA.CAN.GEN.GCC.CHN>	July. 2020

July New Item Drawing Information

BRAKE PAD





MK KASHIYAMA CORP.

MK ITEM / INTERCHANGE NEWS

Date : July 7, 2020
No. 20 - 07

New Regulation 90 Approval Item (For EU Market)

MK No.	Position	Application	Approval No.
K2240	Rear	Toyota HILUX 1600cc,2000cc,2200cc 78.08-89.12 <EUR>	02B01610/52511
K2259	Front & Rear	Toyota HILUX 1600cc,2000cc 78.08-83.08 <EUR>	02B01610/52511
K2260	Rear	Toyota HILUX 1600cc,1800cc,2000cc 78.08-97.08 <EUR>	02B01610/52511
K4431	Rear	Isuzu TROOPER 960 UBS16, UBS52 -83 <EUR>	02B01610/52514
K2252	Rear	Toyota CROWN LS110, MS111, MS112, MS122, RS110 79.09-01.04 <EUR>	02B01610/52514
K2335	Rear	Toyota HILUX 2500cc 05.07-11.08 <EUR>	02B01610/52514
K2335A	Rear	Toyota PREVIA, TARAGO TCR10, TCR20 94.08-97.07 <EUR>	02B01610/52514
K4435	Rear	Isuzu TROOPER 960 UBS16, UBS52 84- <EUR>	02B01610/52514
K2249	Front	Toyota HILUX 1600cc 78.08-93.07 <EUR>	02B01610/52514
K2256	Front	Toyota HILUX 1600cc,2000cc 78.08-83.08 <EUR>	02B01610/52514
K2363	Rear	Toyota CROWN COMFORT 2000cc LPG 01.08-18.01 <JPN>	02B01610/52514
K2378	Rear	Toyota HIACE 2700cc,3000cc 05.01- <EUR>	02B01610/52514
K2302	Rear	Toyota 4-RUNNER 2400cc 85.08-86.08 <EUR>	02B01610/52515
K2371	Rear	Toyota RAV4 2000cc 00.05-05.11 <EUR>	02B01610/52516
K1198	Rear	Nissan SUNNY Y10 94.10-00.03 <EUR>	02B01610/52516
K2232	Rear	Toyota COROLLA, SPRINTER KE7#, TE7#, AE86 79.08-87.08 <EUR>	02B01610/52516
K2312	Rear	Toyota CAMRY CV20, SV20 SERIES, VZV21 86.10-91.06 <EUR>	02B01610/52516
K2284	Rear	Toyota CELICA AA63, RA63, MA61, RA61 81.08-85.12 <EUR>	02B01610/52516
K1119	Rear	Nissan SKYLINE GC10, GC110, KGC10, KGC110, KPGC10 68.10-72.09 <JPN>	02B01610/52516
K1148	Rear	Nissan BLUEBIRD EL910, KM910 80.01- <EUR>	02B01610/52516
K6626	Rear	Mitsubishi GALANT A16# 81- <EUR>	02B01610/52516
K3342	Rear	Mazda 929, 929L HBEP, BHES, HBPHE, HBSHE 81- <EUR>	02B01610/52516
K5543	Rear	Honda ACCORD 5DOOR 99-02 <EUR>	02B01610/52516
K2404	Rear	Toyota RAV4 ACA20, CLA20, ZCA25 04.02-05.11 <EUR>	02B01610/52516
K3344	Rear	Mazda 626 CA2N, CB2M, CV2V, GB 80-81 <EUR,SWE,UK>	02B01610/52516
K2338	Rear	Toyota CALDINA 2000cc 92.11-02.09 <EUR>	02B01610/52516
K2383	Rear	Toyota YARIS KSP90,130 05.08-14.07 <EUR>	02B01611/52518
K5547	Rear	Honda CITY 4DOOR 09-17 <EUR,FRA,FRO>	02B01611/52518
K3307	Front & Rear	Mazda 1000, 1300 FA3 73-76 <EUR,SWE>	02B01611/52518
K0041	Rear	Daihatsu MATERIA M412 (1500cc) 06.09-10.09 <EUR>	02B01611/52518
K1267	Rear	Mitsubishi MIRAGE A03A (1200cc), A05A (1000cc) 12.11- <EUR-RHD>	02B01611/52518
K6729	Rear	Mitsubishi Lancer 1600cc 03.09-08.10 <EUR>	02B01611/52518
K7728	Rear	Subaru JUSTY KA#, KD# 87- <EUR>	02B01611/52519
K9938	Rear	Suzuki ALTO 800cc 86.01-88.12 <EUR>	02B01611/52519
K9914	Rear	Suzuki SWIFT, FORSA AA31S, AA41#, AA51#, AB41S, AB51S <EUR>	02B01611/52519
K9927	Rear	Suzuki SWIFT, FORSA AA31S, AA41#, AA51#, AB41S, AB51S <EUR>	02B01611/52519
K0020	Rear	Daihatsu YRV M211 (1300cc 4WD) 00.08-05.08 <EUR>	02B01611/52519
K7730	Rear	Subaru AC5, AC7, AG5, AK7, AN3, 5 84.08- <UK>	02B01611/52519
K11192	Rear	Kia PICANTO 1000cc,1100cc 04.02-10.02 <EUR,CIS>	02B01611/52519
K7734	Rear	Subaru DOMINGO KJ5, KJ6, KJ8, KL6 87- <EUR,UK>	02B01611/52519
K1169	Front	Nissan CEDRIC, GLORIA Y30 83.06-97.08 <JPN>	02B01611/52519
K7711	Rear	Subaru AF5 84.08- <EUR>	02B01611/52519
K0023	Rear	Daihatsu CHARADE G11, G21, G30 83.02-87.02 <EUR>	02B01611/52519
K11186	Rear	Hyundai GETZ 1100cc, 1300cc, 1400cc 02.05-11.01 <EUR,CIS>	02B01611/52519
K2326	Rear	Toyota TERCEL EL31 90.03-90.09 <EUR>	02B01611/52519