

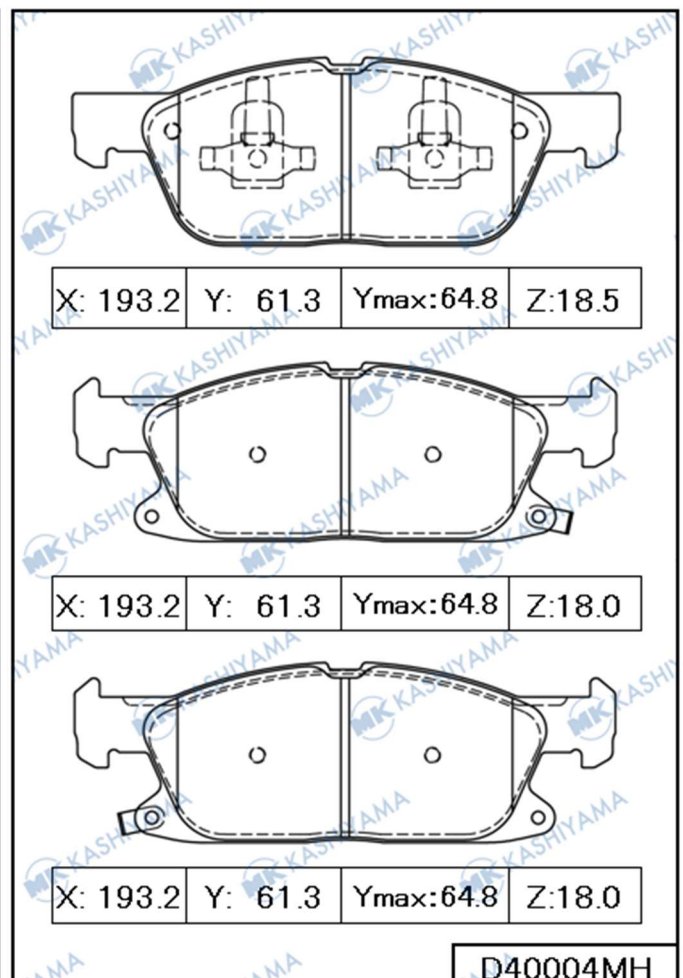
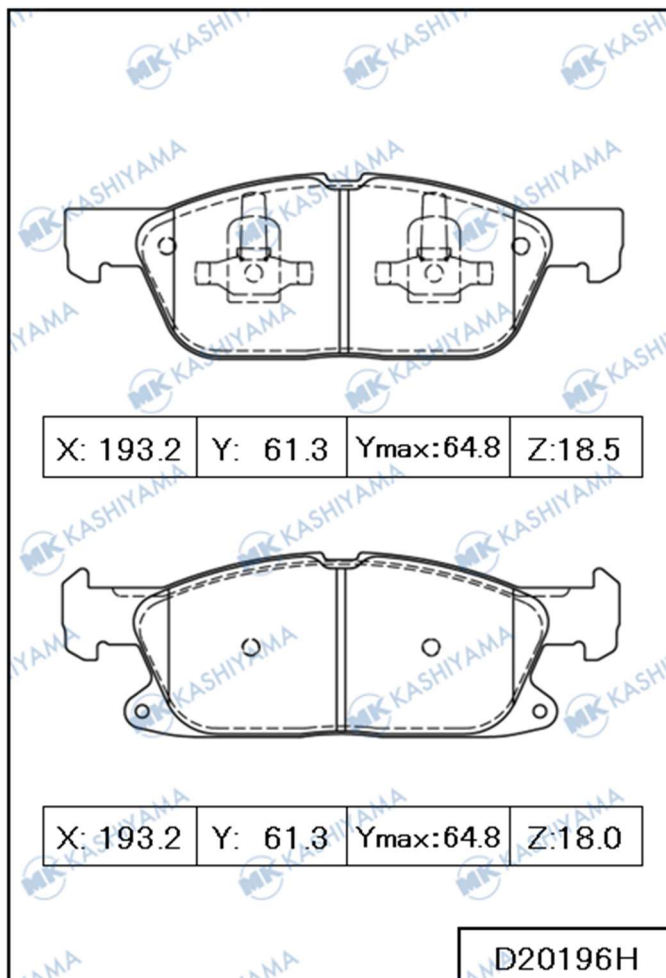
MK KASHIYAMA ITEM / INTERCHANGE NEWS

AUGUST New Item Information

■ BRAKE PAD

No.	Position	Application	Quotation Month
D20196H Made in Indonesia FMSI D1818	FRONT	FORD EDGE 2000cc~3500cc 2015-2020 <USA, EUR> LINCOLN MKX 2700cc, 3700cc 2016-2017 <USA>	August, 2025
No.	Position	Application	Quotation Month
D40004MH Made in Indonesia FMSI	FRONT	CHANGAN CS95 1500cc, 2000cc 2018- <ME, ASIA>	August, 2025

AUGUST New Item Drawing Information



MK KASHIYAMA ITEM / INTERCHANGE NEWS

Valuable Information

■ Changed sets/carton Items (Existing MK KASHIYAMA Item)

SETS/CTN of below products changed from October shipment for Made in Indonesia.

<From October shipment>

No.	Previous		Present	Origin
K2276	12 sets/ctn	➔	8 sets/ctn	Made in Japan

Announcement

■ Changing the package

We are going to change the Inner box and Outer box package with NEW LOGO form next year.

For details, please refer to notice letter.