

MK KASHIYAMA ITEM / INTERCHANGE NEWS

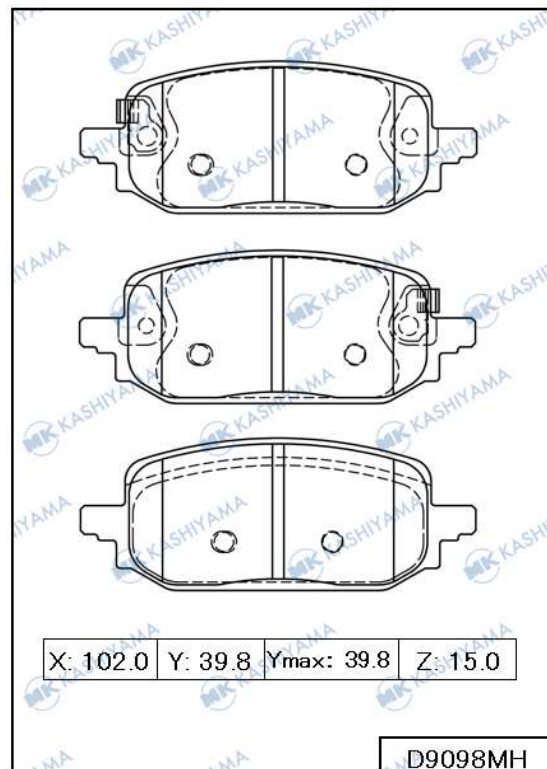
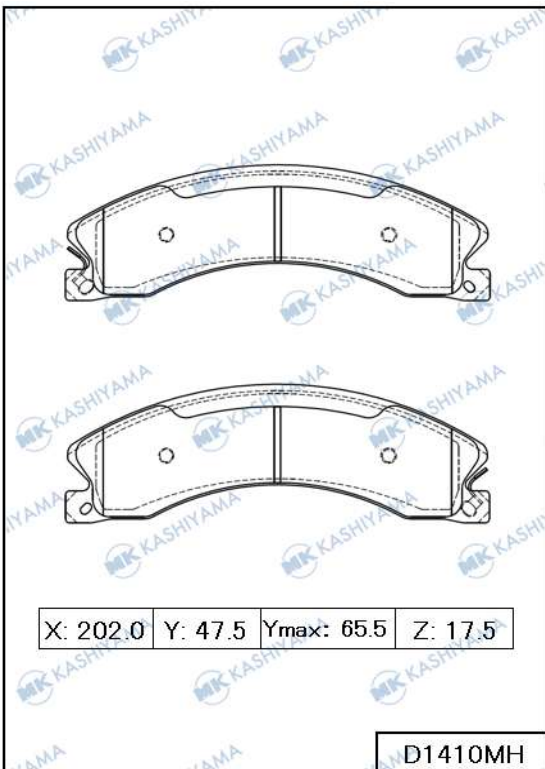
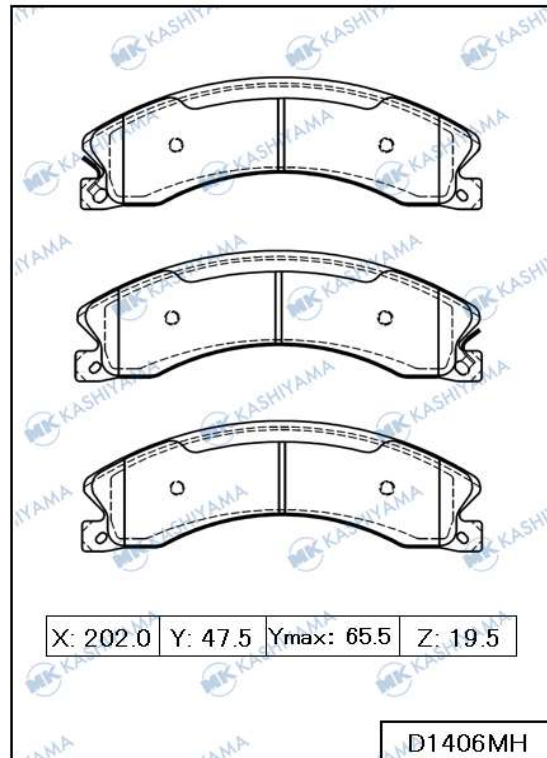
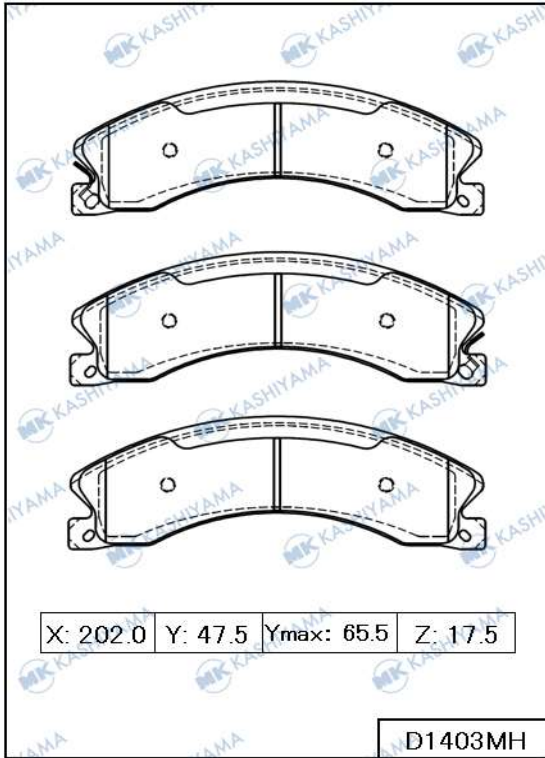
APRIL New Item Information

■ BRAKE PAD

No.	Position	Application	Quotation Month
D1403MH Made in Indonesia FMSI D1565	Rear	NISSAN TITAN 2015- <USA/CAN> NISSAN NV1500 2011-21 <USA> NISSAN NV2500 2011-21 <USA/CAN> NISSAN NV3500 2011-21 <USA/CAN>	April, 2026
D1406MH Made in Indonesia FMSI D1565	Front	NISSAN TITAN A61 2015- <USA/CAN> NISSAN NV1500 F80 2011-21 <USA> NISSAN NV2500 F80 2011-21 <USA/CAN> NISSAN NV3500 F80,WF80 2011-21 <USA/CAN>	April, 2026
D1410MH Made in Indonesia FMSI	Rear	NISSAN TITAN 2020- <USA/CAN>	April, 2026
D9098MH Made in Japan Made in Indonesia FMSI	Rear	SUZUKI SWIFT ZCEDs, ZDEDS 2023- <JPN>	April, 2026

MK KASHIYAMA ITEM / INTERCHANGE NEWS

APRIL New Item Drawing Information



MK KASHIYAMA ITEM / INTERCHANGE NEWS

Valuable Information

■ Newly start Products with SHIM (Existing MK KASHIYAMA Item)

No.	Origin	Quotation Month
D5278MH	Made in Japan, Indonesia	April, 2026

Announcement

■ Holiday Notice

Please be informed that our office will be closed during the Golden Week holiday from May 2 to May 6, 2026.

We will resume back to work from 7th May.

Sorry for your inconveniences during the period and we sincerely appreciate your understanding.