

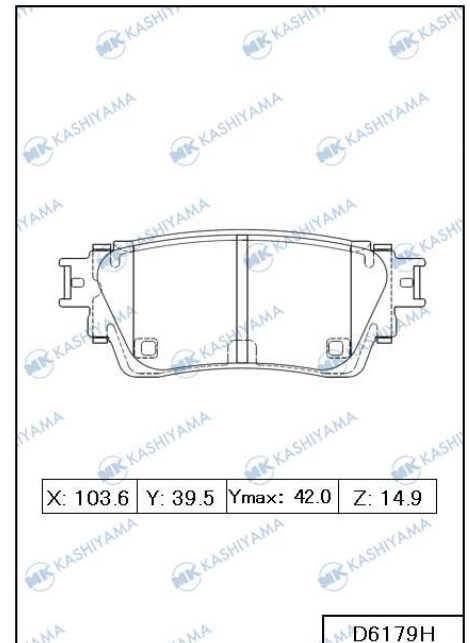
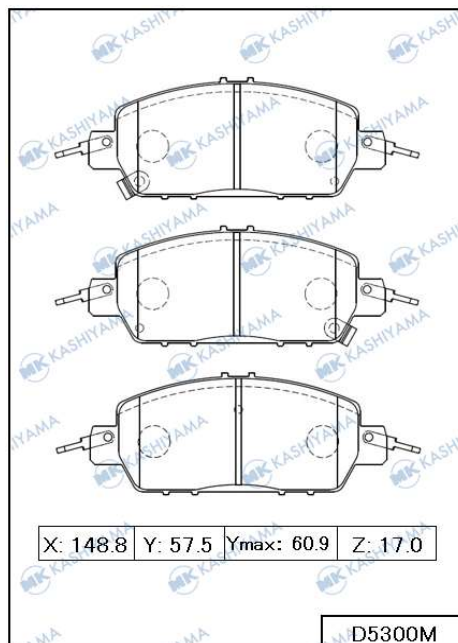
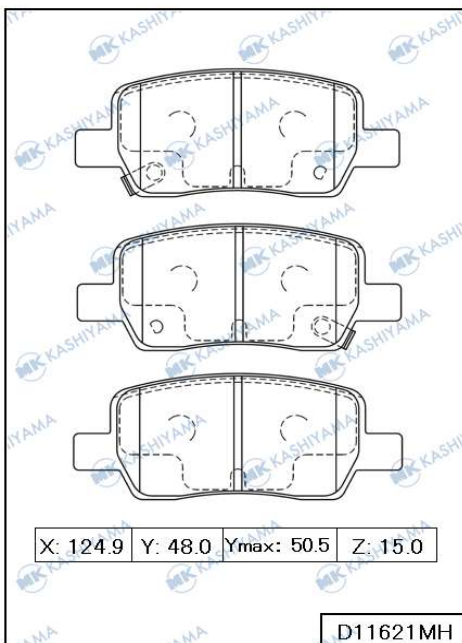
MK KASHIYAMA ITEM / INTERCHANGE NEWS

JUNE New Item Information

■ BRAKE PAD

No.	Position	Application	Quotation Month
D11621MH Made in Indonesia FMSI D2581	Rear	KIA CARNIVAL 2025- <USA>	June, 2026
D5300M Made in Japan FMSI	Front	HONDA FREED GT1,GT2,GT3,GT4 2024- <JPN> HONDA FREED E:HEV GT5,GT6,GT7,GT8 2024- <JPN>	June, 2026
D6179H Made in Japan Made in Indonesia FMSI D2640	Rear	MITSUBISHI OUTLANDER GN0W 2024- <JPN>	June, 2026

JUNE New Item Drawing Information



MK KASHIYAMA ITEM / INTERCHANGE NEWS

Valuable Information

■ Newly start Products with SHIM (Existing MK KASHIYAMA Item)

No.	Origin	Quotation Month
D6131H	Made in Japan	June, 2026
D6157MH	Made in Japan	June, 2026
D6172H	Made in Japan	June, 2026

Announcement

■ Discontinued Item

The following items will be discontinued for orders received from **July 2026**.

MK No.	JAPAN	INDONESIA
K1197	Discontinue of receiving orders from July 2026.	Not Available
K2276	Discontinue of receiving orders from July 2026.	Discontinue of receiving orders from July 2026.
K3327	Discontinue of receiving orders from July 2026.	Not Available
K3335	Discontinue of receiving orders from July 2026.	Not Available

■ Customer Satisfaction Survey

We will be conducting a customer satisfaction survey for one month starting on July 1st.

As with last year, the survey will be conducted online using Microsoft Forms.

The survey URL will be sent individually by email from the person in charge.